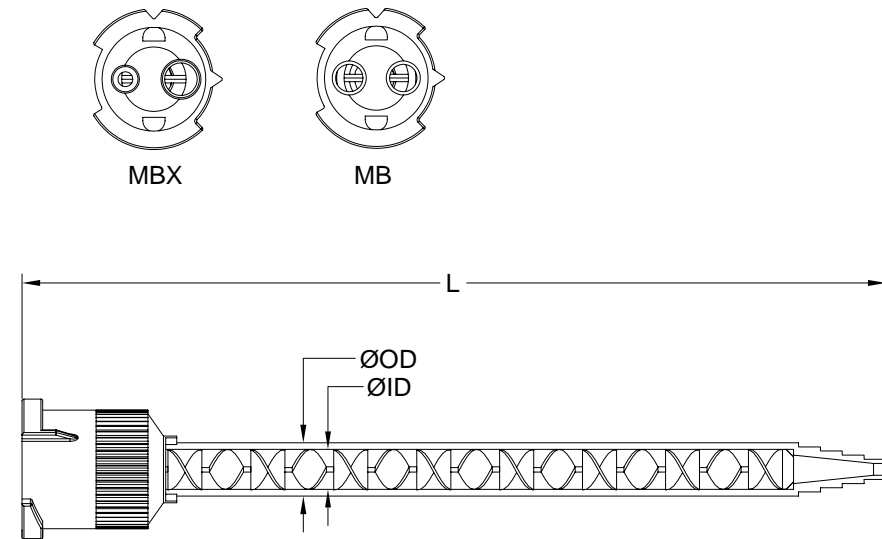


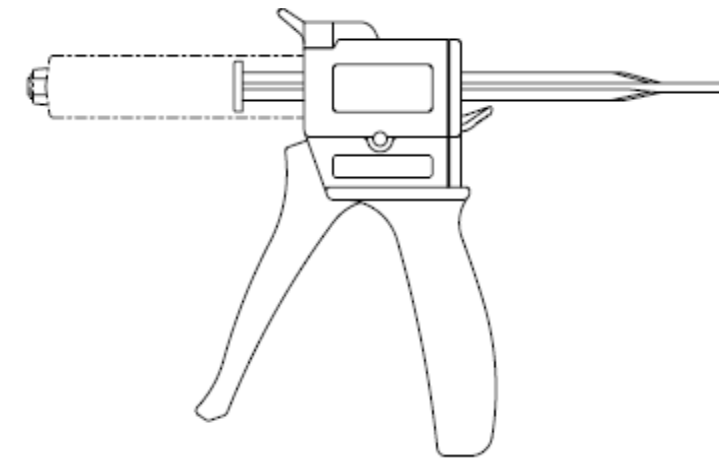
# S-System 50 Industrial

## Mixers for S System 50mL



# MIXPAC System S50

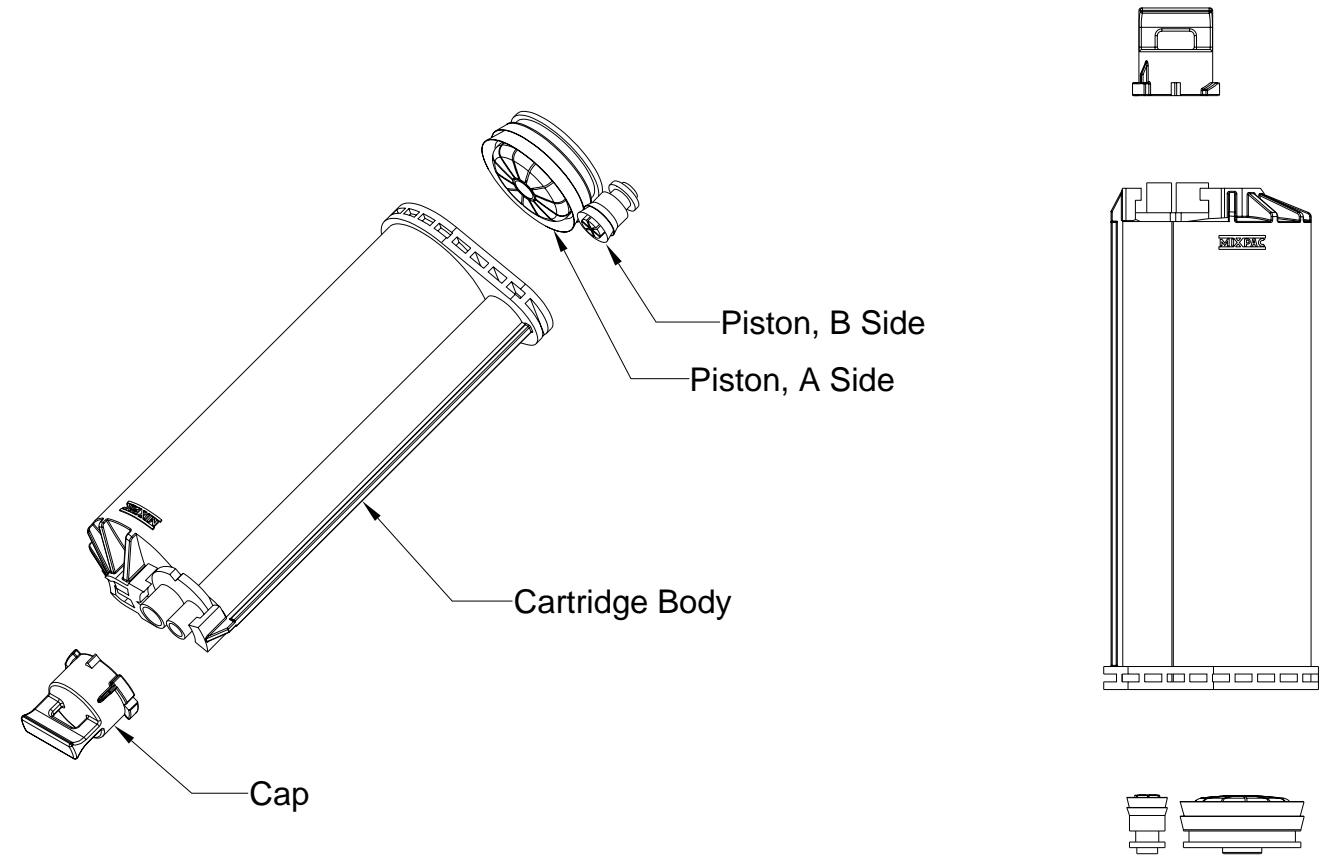
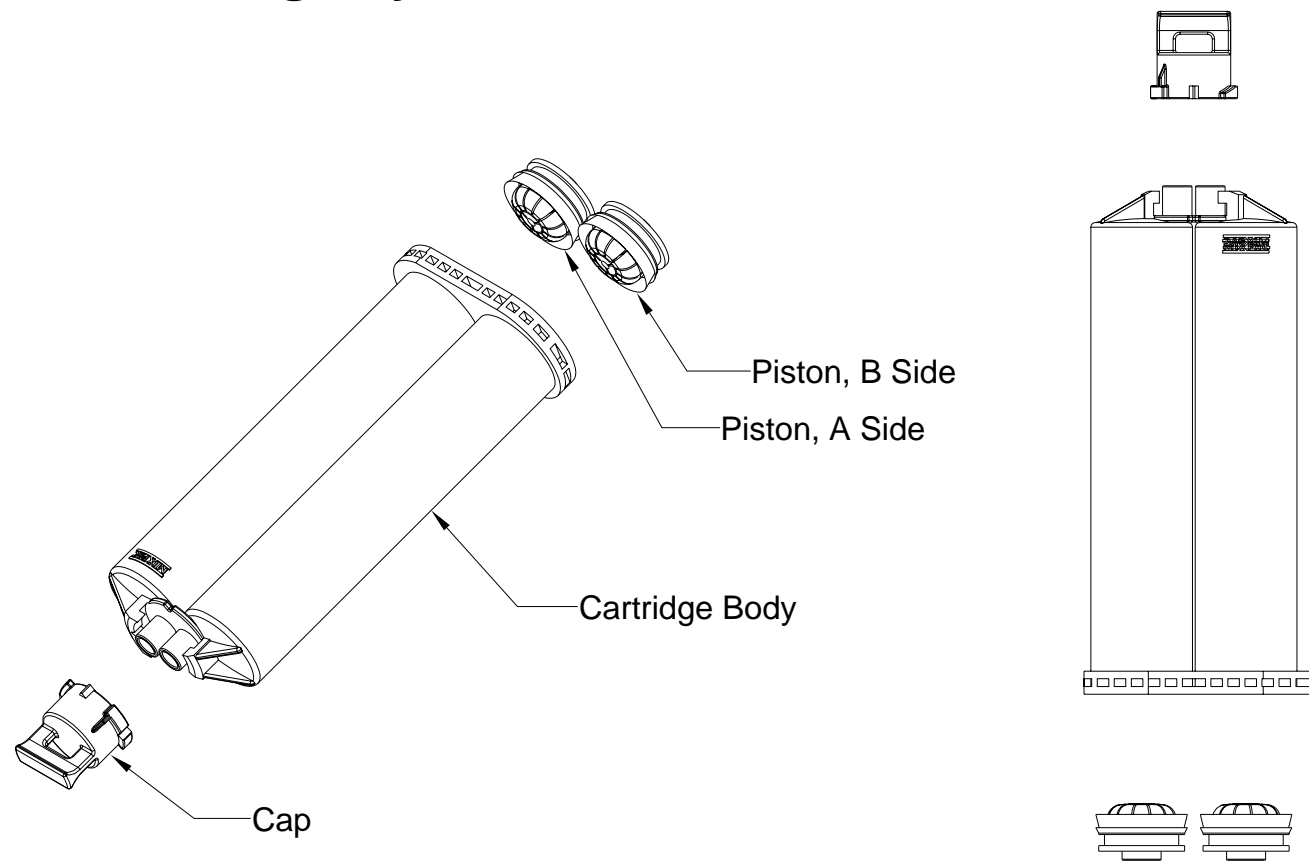
May 2008



Type	Part Number	Description	Elements	ID (mm)	OD (mm)	L (mm)	Volume (mL)
Tapered	MB 3.2-12-S	Mixer, DN 3.2 x 12, light blue, 1:1/2:1	12	3.2	4.8	63.5	0.51
Tapered	MB 3.2-16-S	Mixer, DN 3.2 x 16, light blue, 1:1/2:1	16	3.2	4.8	76.5	0.59
Tapered	MB 4.2-16-S	Mixer, DN 4.2 x 16, yellow, 1:1/2:1	16	4.2	5.9	96.0	1.20
Stepped	MB 5.4-16-S	Mixer, DN 5.4 x 16, pink, 1:1/2:1	16	5.4	7.0	111.8	2.04
Stepped	MB 5.4-20-S	Mixer, DN 5.4 x 20, pink, 1:1/2:1	20	5.4	7.0	132.8	2.37
Stepped	MB 6.5-16-S	Mixer, DN 6.5 x 16, green, 1:1/2:1	16	6.5	8.2	132.0	3.14
Stepped	MB 6.5-20-S	Mixer, DN 6.5 x 20, green, 1:1/2:1	20	6.5	8.2	157.0	3.88
Tapered	MBX 3.2-16-S	Mixer, DN 3.2 x 16, light blue, 4:1/10:1	16	3.2	4.8	77.0	0.60
Tapered	MBX 4.2-16-S	Mixer, DN 4.2 x 16, yellow, 4:1/10:1	16	4.2	5.9	96.0	1.15
Stepped	MBX 5.4-16-S	Mixer, DN 5.4 x 16, pink, 4:1/10:1	16	5.4	7.0	111.0	2.06
Stepped	MBX 6.5-16-S	Mixer, DN 6.5 x 16, green, 4:1/10:1	16	6.5	8.2	131.0	3.10
Stepped	MBX 6.5-20-S	Mixer, DN 6.5 x 20, green, 4:1/10:1	20	6.5	8.2	156.7	3.88

Dispensers for System S50		
Dispensers		
	DS 53-01-00	Manual Dispenser, 50ml, Plain, 1:1, 3:2, 2:1 Ratio Plunger
	DS 51-04-00	Manual Dispenser, 50ml, Plain, 4:1 Ratio Plunger
	DS 51-10-00	Manual Dispenser, 50ml, Plain, 10:1 Ratio Plunger
Plungers		
	PLS 053-01	Plunger, 50ml, 1:1, 3:2, 2:1 Ratio
	PLS 051-04	Plunger, 50ml, 4:1 Ratio
	PLS 051-10	Plunger, 50ml, 10:1 Ratio

# Cartridge System - S 50mL



Volumetric Ratio	1:1		3:2	2:1
Capacity (maximum)	50mL			
Material of Construction	Polypropylene (PP)	Nylon (PA)	Polypropylene (PP)	Polypropylene (PP)
Cartridge Set - (A cartridge set consists of a cartridge with a preassembled cap)	AS 050-01-09-1X	AS 050-01-19-1X	AS 050-32-09-1X	AS 050-02-09-1X
Cartridge	CS 050-01-09	CS 050-01-19	CS 050-32-09	CS 050-02-09
Piston A, Preassembled, lip seal	KSD 50-01-11	KSD 50-01-28	PSA 56-32-02	KSA 50-02-11
Piston B, Preassembled, lip seal			PSB 56-32-02	KSB 50-02-11
Cap with Plug	VB 001-S1	VB 001-S1	VB 001-S1	VB 001-S1
<i>Alternative Parts</i>				
Piston A and B	KSD 50-01-11-EP	KSD 50-01-28-EP		PSA 53-02-EP
Piston A and B	PSD 50-01-EP			PSB 53-02-EP

Volumetric Ratio	4:1		10:1	
Capacity (maximum)	50mL			
Material of Construction	Polypropylene (PP)	Polyester (PBT)	Polypropylene (PP)	Polyester (PBT)
Cartridge Set - (A cartridge set consists of a cartridge with a preassembled cap)	AS 050-04-09-1X	AS 050-04-06-1X	AS 050-10-42-1X	AS 050-10-06-1X
Cartridge	CS 050-04-09	CS 050-04-06	CS 050-10-42	CS 050-10-06
Piston A, Preassembled, lip seal	KSA 50-04-11		KSA 50-10-11	KSA 50-10-28
Piston B, Preassembled, lip seal	KSB 50-04-11		KSB 50-10-11	KSB 50-10-28
Cap with Plug	VBX 001-S6	VBX 001-S6	VBX 001-S6	VBX 001-S6
<i>Alternative Parts</i>				
Piston A	PSA 53-04-EP	PSA 53-04-EP	PSA 53-10-EP	PSA 55-10-28
Piston B	PSB 53-04-EP	PSB 53-04-EP	PSB 53-10-EP	PSB 55-10-28