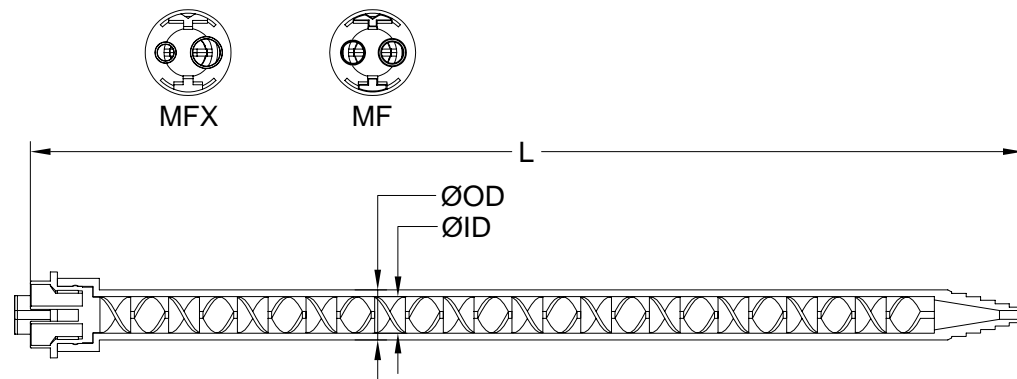


# F-System 400 Industrial

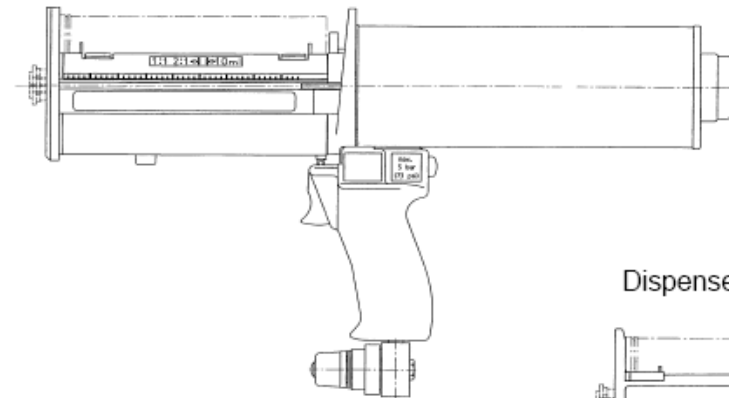
## Mixers for F System 400mL



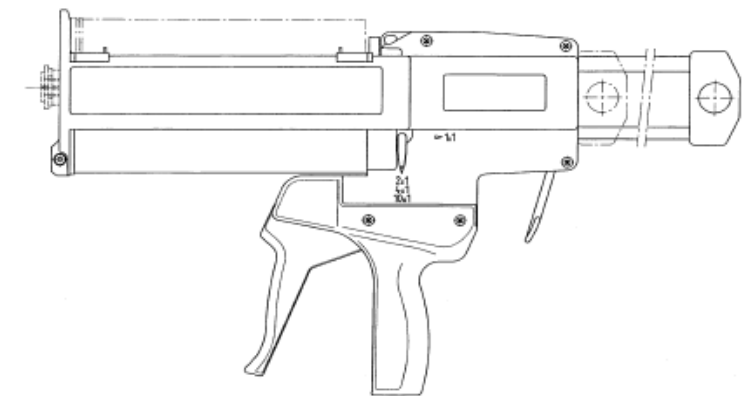
# MIXPAC System F400

May 2008

Dispenser pneumatic - Type DP



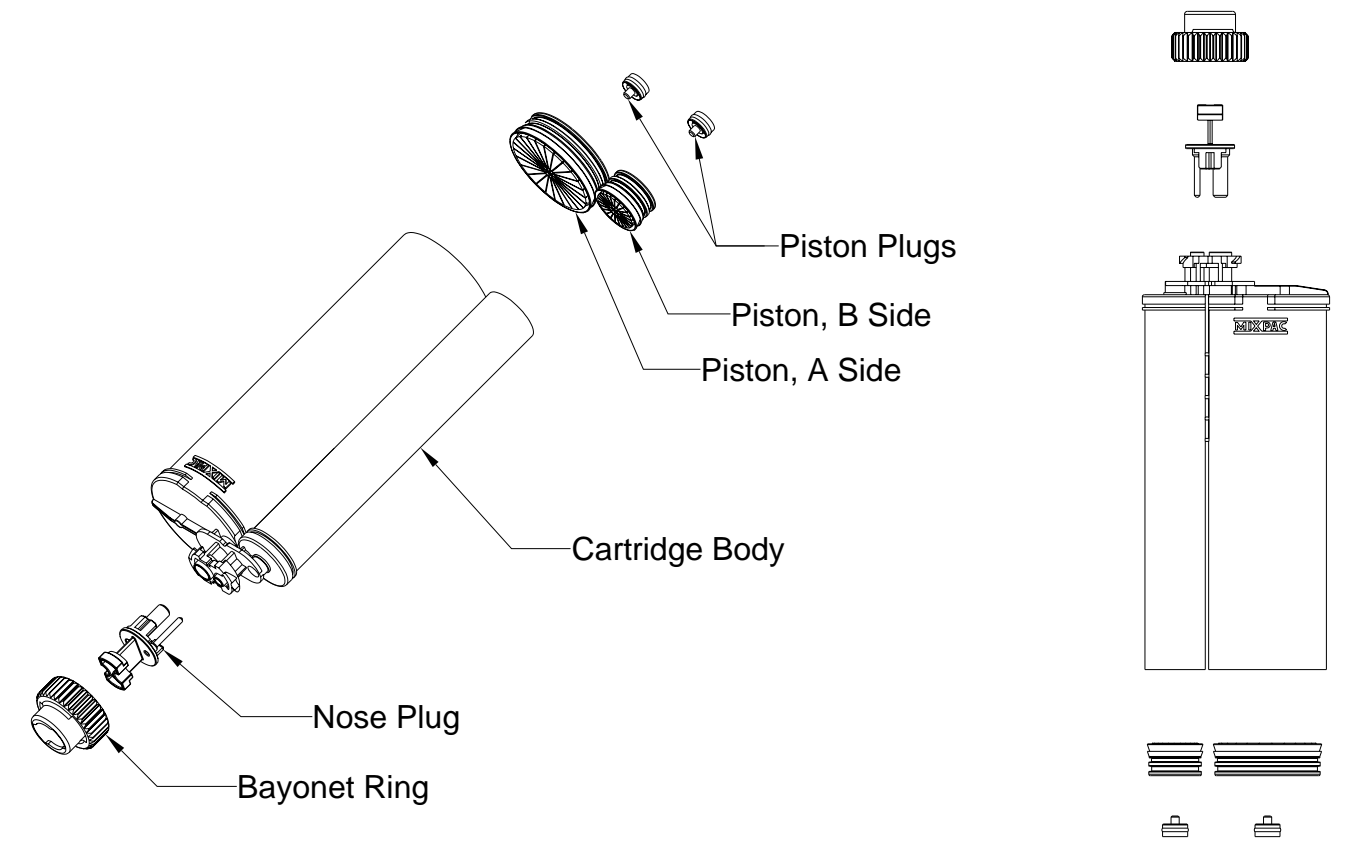
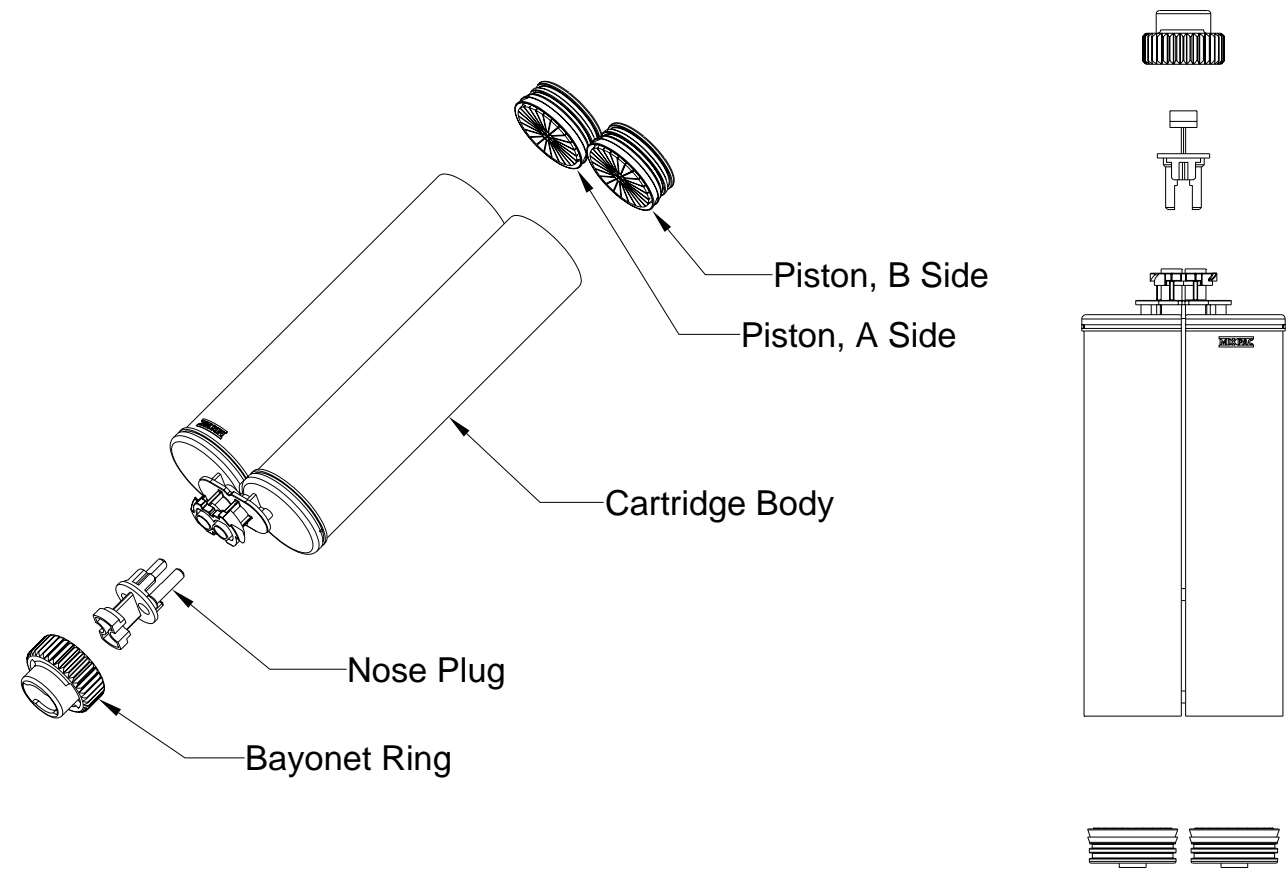
Dispenser manual - Type DM



Type	Part Number	Description	Elements	ID (mm)	L (mm)	Volume (mL)
Stepped	MF 06-18	Mixer, DN 6 x 18, white, natural elements, 1:1/2:1	18	6.0	156	4.36
Stepped	MF 06-24	Mixer, DN 6 x 24, white, natural elements, 1:1/2:1	24	6.0	193	5.40
Stepped	MF 08-18	Mixer, DN 8 x 18, white, natural elements, 1:1/2:1	18	8.0	187	7.40
Stepped	MF 08-24	Mixer, DN 8 x 24, white, natural elements, 1:1/2:1	24	8.0	234	9.30
Stepped	MF 08-32	Mixer, DN 8 x 32, white, natural elements, 1:1/2:1	32	8.0	297	11.85
Stepped	MF 10-18	Mixer, DN 10 x 18, white, natural elements, 1:1/2:1	18	10.0	224	13.09
Stepped	MF 10-24	Mixer, DN 10 x 24, white, natural elements, 1:1/2:1	24	10.0	283	16.89
Stepped	MF 10-32	Mixer, DN 10 x 32, white, natural elements, 1:1/2:1	32	10.0	362	21.94
Stepped	MFX 06-18	Mixer, DN 6 x 18, white, orange elements, 4:1/10:1	18	10.0	156	4.16
Stepped	MFX 06-24	Mixer, DN 6 x 24, white, orange elements, 4:1/10:1	24	10.0	193	5.20
Stepped	MFX 08-18	Mixer, DN 8 x 18, white, orange elements, 4:1/10:1	18	12.0	187	7.28
Stepped	MFX 08-24	Mixer, DN 8 x 24, white, orange elements, 4:1/10:1	24	12.0	233	9.14
Stepped	MFX 08-32	Mixer, DN 8 x 32, white, orange elements, 4:1/10:1	32	12.0	296	11.55
Stepped	MFX 10-18	Mixer, DN 10 x 18, white, orange elements, 4:1/10:1	18	14.0	224	12.96
Stepped	MFX 10-24	Mixer, DN 10 x 24, white, orange elements, 4:1/10:1	24	14.0	283	16.70
Stepped	MFX 10-32	Mixer, DN 10 x 32, white, orange elements, 4:1/10:1	32	14.0	363	21.22

Dispensers for System F400		
Dispensers		
Pneumatic	DP 400-85-01	Pneumatic Dispenser, 400mL, 1:1 / 2:1 Ratio, 6 Bar
	DP 400-85-04	Pneumatic Dispenser, 400mL, 4:1 Ratio, 6 Bar
	DP 400-85-10	Pneumatic Dispenser, 400mL, 10:1 Ratio, 6 Bar
	DP 400-100-10	Pneumatic Dispenser, 400mL, High Pressure 10:1 Ratio, 6 Bar
Manual	DM 400-01	Manual Dispenser, 400mL, 1:1 / 2:1 Ratio
	DM 400-04	Manual Dispenser, 400mL, 4:1 Ratio
	DM 400-10	Manual Dispenser, 400mL, 10:1 Ratio

# Cartridge System - F 400mL



Volumetric Ratio	<b>1:1</b>		<b>2:1</b>	
Capacity (maximum)	<b>395mL</b>		<b>400mL</b>	
Material of Construction	<i>Polypropylene (PP)</i>	<i>Nylon (PA)</i>	<i>Polypropylene (PP)</i>	<i>Nylon (PA)</i>
Cartridge	CF 400-01-14	CF 401-01-18	CF 400-02-14	CF 400-02-18
Piston A, Preassembled, lip seal	PPD 420-01-11	PPD 421-01-28	PPA 420-02-11	PPA 421-02-28
Piston B, Preassembled, lip seal			PPB 420-02-11	PPB 421-02-28
Nose Plug	SF 002-23	SF 002-24	SF 002-23	SF 002-24
Bayonet Ring	BRF 002-PP	BRF 002-PP	BRF 002-PP	BRF 002-PP
<i>Alternative Parts</i>				

Volumetric Ratio	<b>4:1</b>			
Capacity (maximum)	<b>415mL</b>			
Material of Construction	<i>Polypropylene (PP)</i>	<i>Polyester (PBT)</i>		
Cartridge	CF 400-04-14	CF 400-04-06		
Piston A, Preassembled, lip seal				
Piston B, Preassembled, lip seal				
Nose Plug	SFX 002-23	SFX 002-24		
Bayonet Ring	BRF 002-PP	BRF 002-PP		
<i>Alternative Parts</i>				
Piston A	PA 420-04-11	PA 421-04-28		
Piston B	PB 420-04-11	PB 421-04-28		
Piston Plug	PP 001-21	PP 001-21		