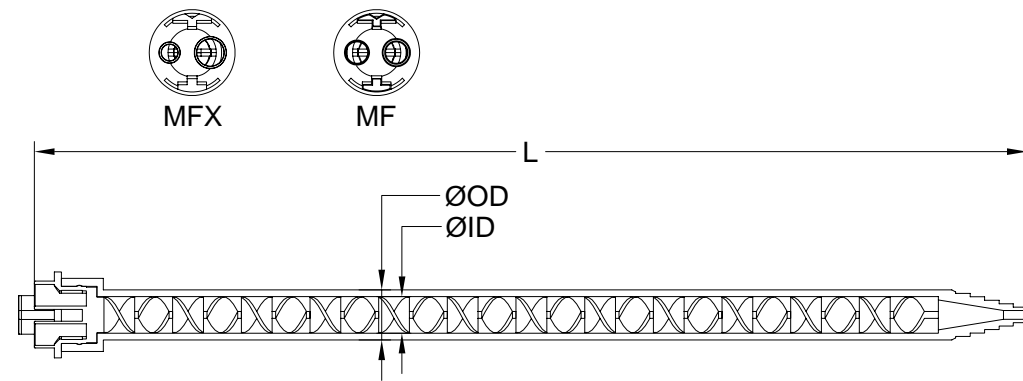


# F-System 200 Industrial

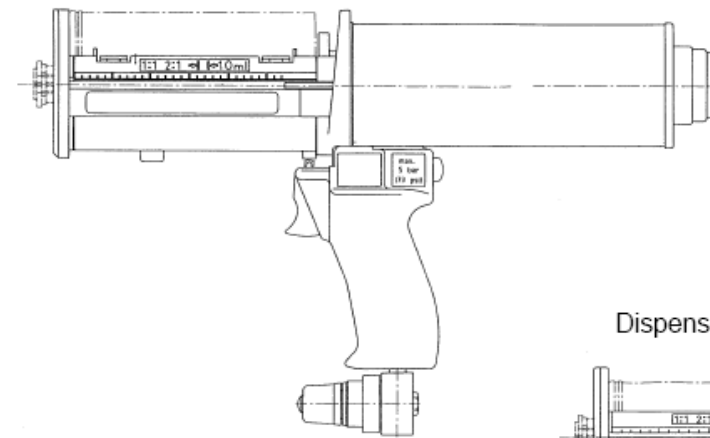
## Mixers for F System 200mL



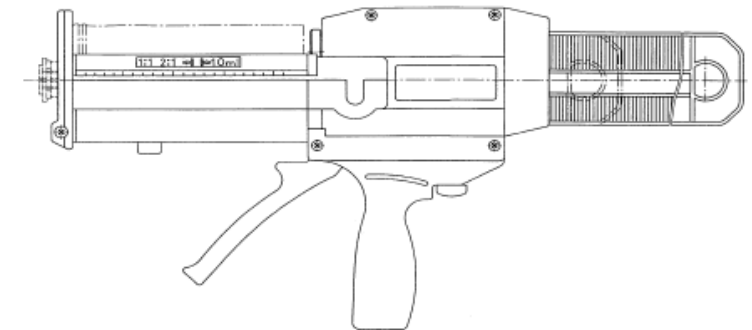
# MIXPAC System F200

May 2008

Dispenser pneumatic - Type DP



Dispenser manual - Type DM

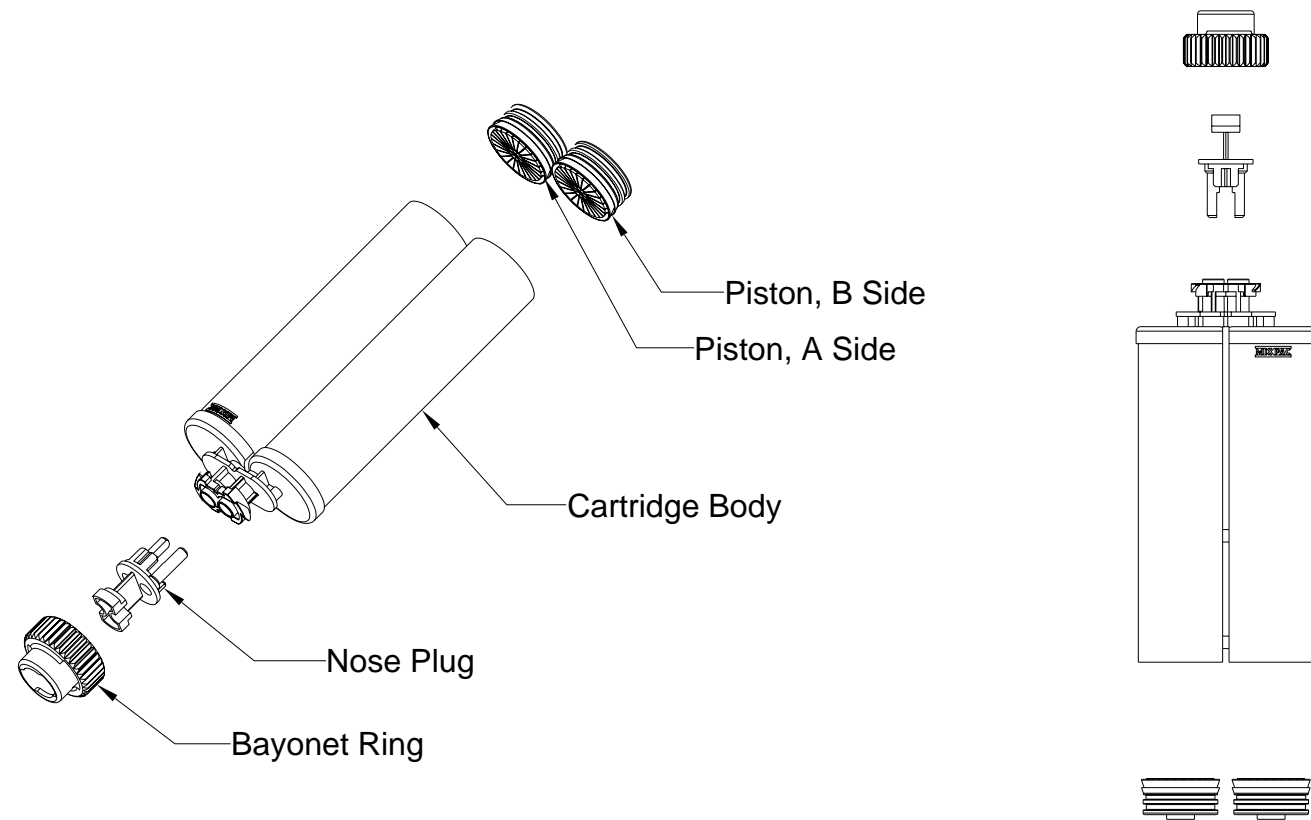


Type	Part Number	Description	Elements	ID (mm)	L (mm)	Volume (mL)
Stepped	MF 06-18	Mixer, DN 6 x 18, white, natural elements, 1:1/2:1	18	6.0	156	4.36
Stepped	MF 06-24	Mixer, DN 6 x 24, white, natural elements, 1:1/2:1	24	6.0	193	5.40
Stepped	MF 08-18	Mixer, DN 8 x 18, white, natural elements, 1:1/2:1	18	8.0	187	7.40
Stepped	MF 08-24	Mixer, DN 8 x 24, white, natural elements, 1:1/2:1	24	8.0	234	9.30
Stepped	MF 08-32	Mixer, DN 8 x 32, white, natural elements, 1:1/2:1	32	8.0	297	11.85
Stepped	MF 10-18	Mixer, DN 10 x 18, white, natural elements, 1:1/2:1	18	10.0	224	13.09
Stepped	MF 10-24	Mixer, DN 10 x 24, white, natural elements, 1:1/2:1	24	10.0	283	16.89
Stepped	MF 10-32	Mixer, DN 10 x 32, white, natural elements, 1:1/2:1	32	10.0	362	21.94
Stepped	MFX 06-18	Mixer, DN 6 x 18, white, orange elements, 4:1/10:1	18	10.0	156	4.16
Stepped	MFX 06-24	Mixer, DN 6 x 24, white, orange elements, 4:1/10:1	24	10.0	193	5.20
Stepped	MFX 08-18	Mixer, DN 8 x 18, white, orange elements, 4:1/10:1	18	12.0	187	7.28
Stepped	MFX 08-24	Mixer, DN 8 x 24, white, orange elements, 4:1/10:1	24	12.0	233	9.14
Stepped	MFX 08-32	Mixer, DN 8 x 32, white, orange elements, 4:1/10:1	32	12.0	296	11.55
Stepped	MFX 10-18	Mixer, DN 10 x 18, white, orange elements, 4:1/10:1	18	14.0	224	12.96
Stepped	MFX 10-24	Mixer, DN 10 x 24, white, orange elements, 4:1/10:1	24	14.0	283	16.70
Stepped	MFX 10-32	Mixer, DN 10 x 32, white, orange elements, 4:1/10:1	32	14.0	363	21.22

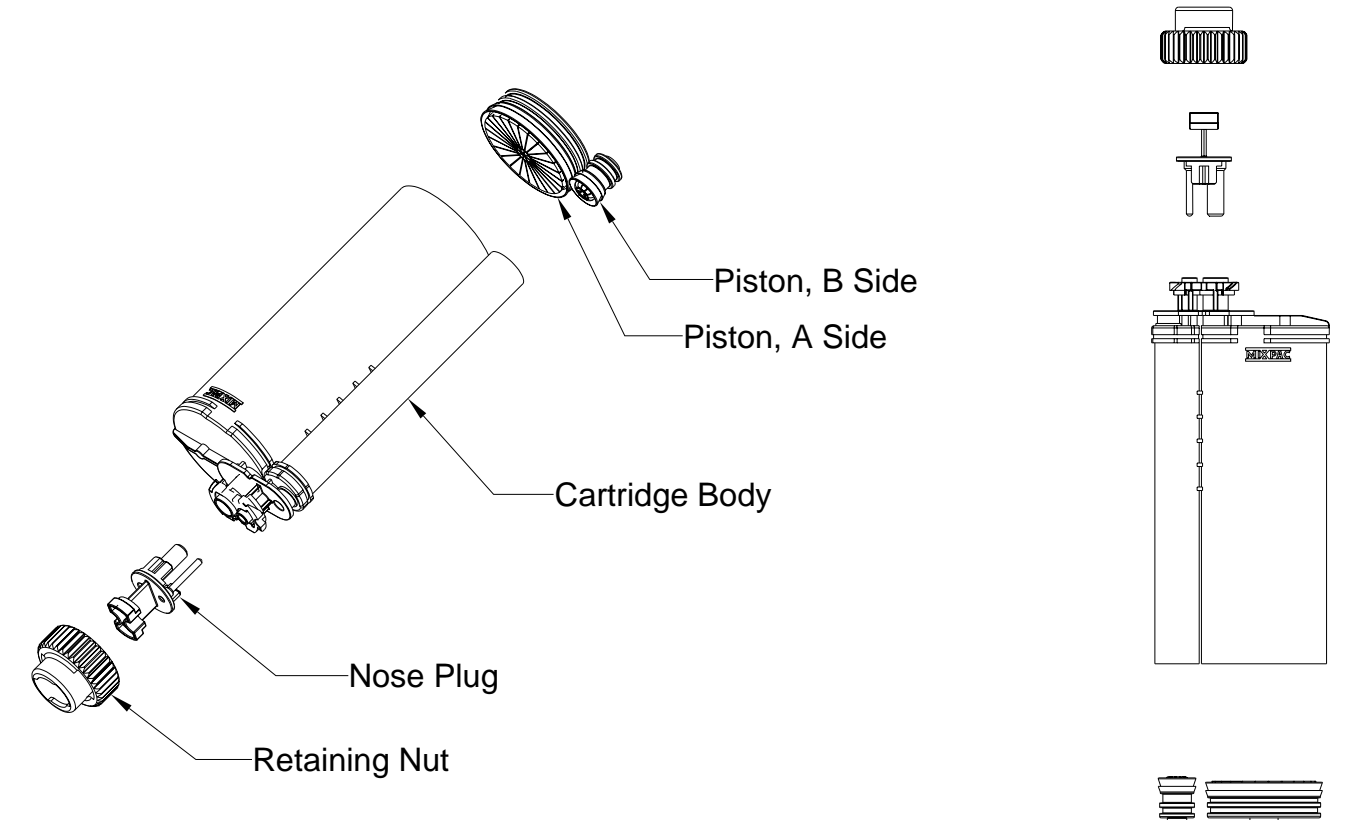
### Dispensers for System F200

Dispensers		
Pneumatic	DP 200-70-01	Pneumatic Dispenser, 200ml, 1:1 / 2:1 Ratio, 6 Bar
	DP 200-70-04	Pneumatic Dispenser, 200ml, 4:1 Ratio, 6 Bar
	DP 200-70-10	Pneumatic Dispenser, 200ml, 10:1 Ratio, 6 Bar
Manual	DM 200-01	Manual Dispenser, 200ml, 1:1 / 2:1 Ratio
	DM 200-04	Manual Dispenser, 200ml, 4:1 Ratio
	DM 200-10	Manual Dispenser, 200ml, 10:1 Ratio

# Cartridge System - F 200mL



Volumetric Ratio	<b>1:1</b>		<b>2:1</b>	
Capacity (maximum)	<b>210mL</b>		<b>215mL</b>	
Material of Construction	<i>Polypropylene (PP)</i>	<i>Nylon (PA)</i>	<i>Polypropylene (PP)</i>	<i>Nylon (PA)</i>
Cartridge	CF 200-01-14	CF 200-01-18	CF 200-02-14	CF 200-02-18
Piston A, Preassembled, lip seal	PPD 220-01-11	PPD 221-01-28	PPA 220-02-11	PPA 221-02-28
Piston B, Preassembled, lip seal			PPB 220-02-11	PPB 221-02-28
Nose Plug	SF 002-23	SF 002-24	SF 002-23	SF 002-24
Bayonet Ring	BRF 002-PP	BRF 002-PP	BRF 002-PP	BRF 002-PP



Volumetric Ratio	<b>4:1</b>		<b>10:1</b>	
Capacity (maximum)	<b>225mL</b>		<b>250mL</b>	
Material of Construction	<i>Polypropylene (PP)</i>	<i>Polyester (PBT)</i>	<i>Polypropylene (PP)</i>	<i>Polyester (PBT)</i>
Cartridge	CF 200-04-14	CF 200-04-06	CF 200-10-14	CF 200-10-06
Piston A, Preassembled, lip seal			KA 200-10-11	KA 200-10-28
Piston B, Preassembled, lip seal			KB 200-10-11	KB 200-10-28
Nose Plug	SFX 002-23	SFX 002-24	SFX 002-23	SFX 002-24
Bayonet Ring	BRF 002-PP	BRF 002-PP	BRF 002-PP	BRF 002-PP
<i>Alternative Parts</i>				
Piston A	PA 220-04-11	PA 220-04-11		
Piston B	PB 220-04-11	PB 220-04-11		
Piston Plug	PP 001-21	PP 001-21		