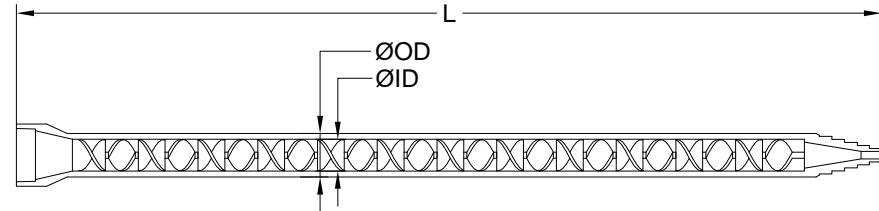


C-System 400 Industrial

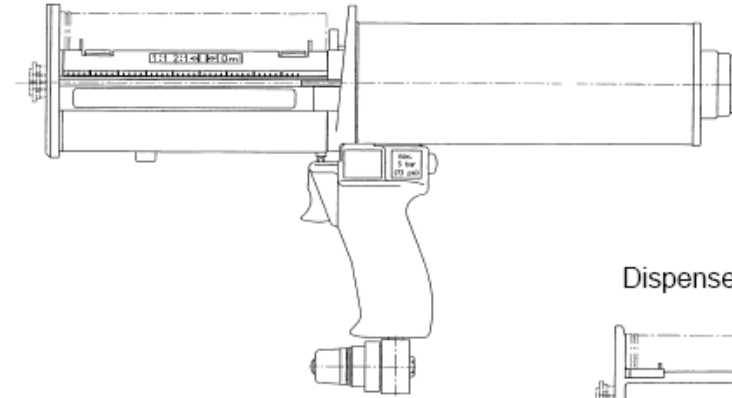
Mixers for C System 400mL



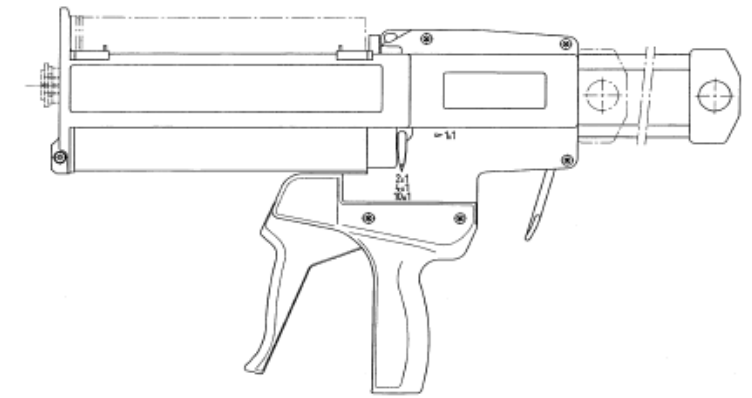
MIXPAC System C400

May 2008

Dispenser pneumatic - Type DP



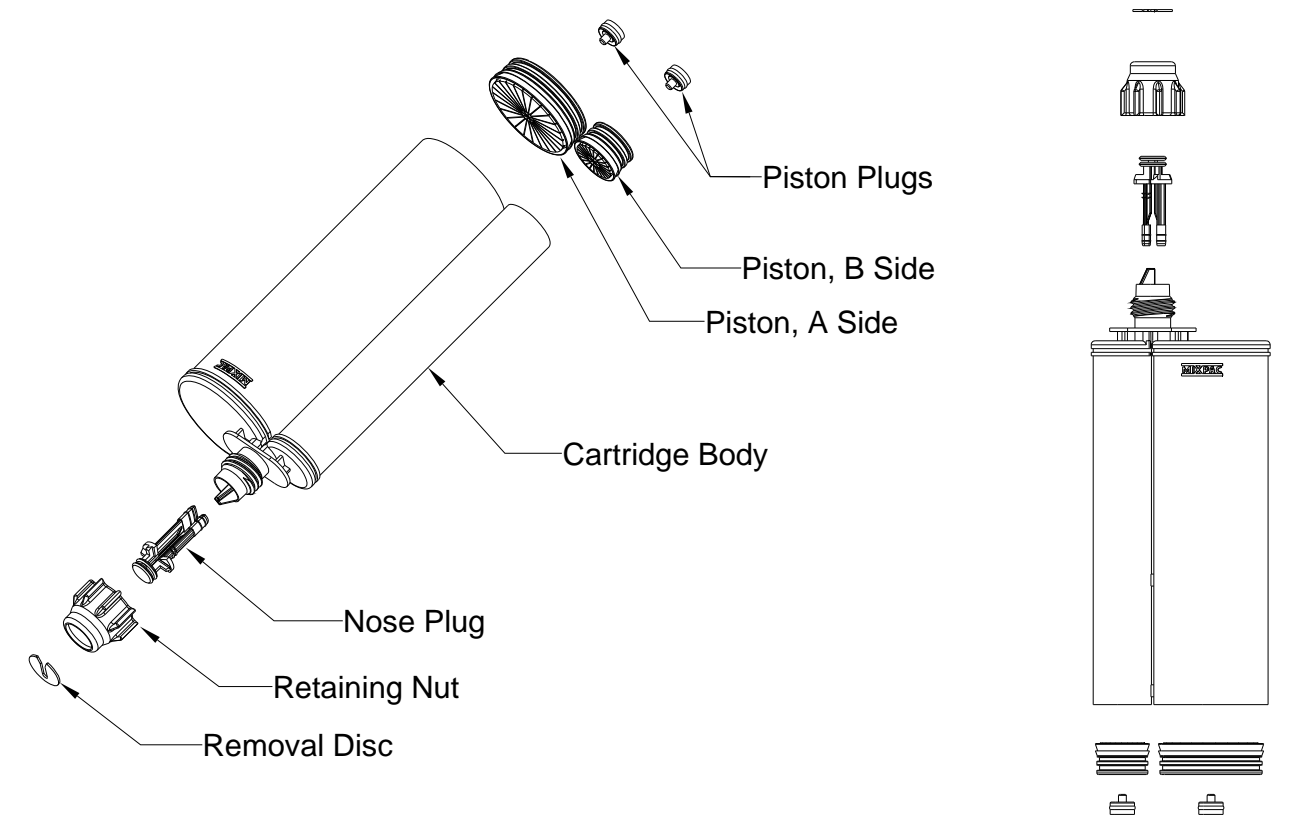
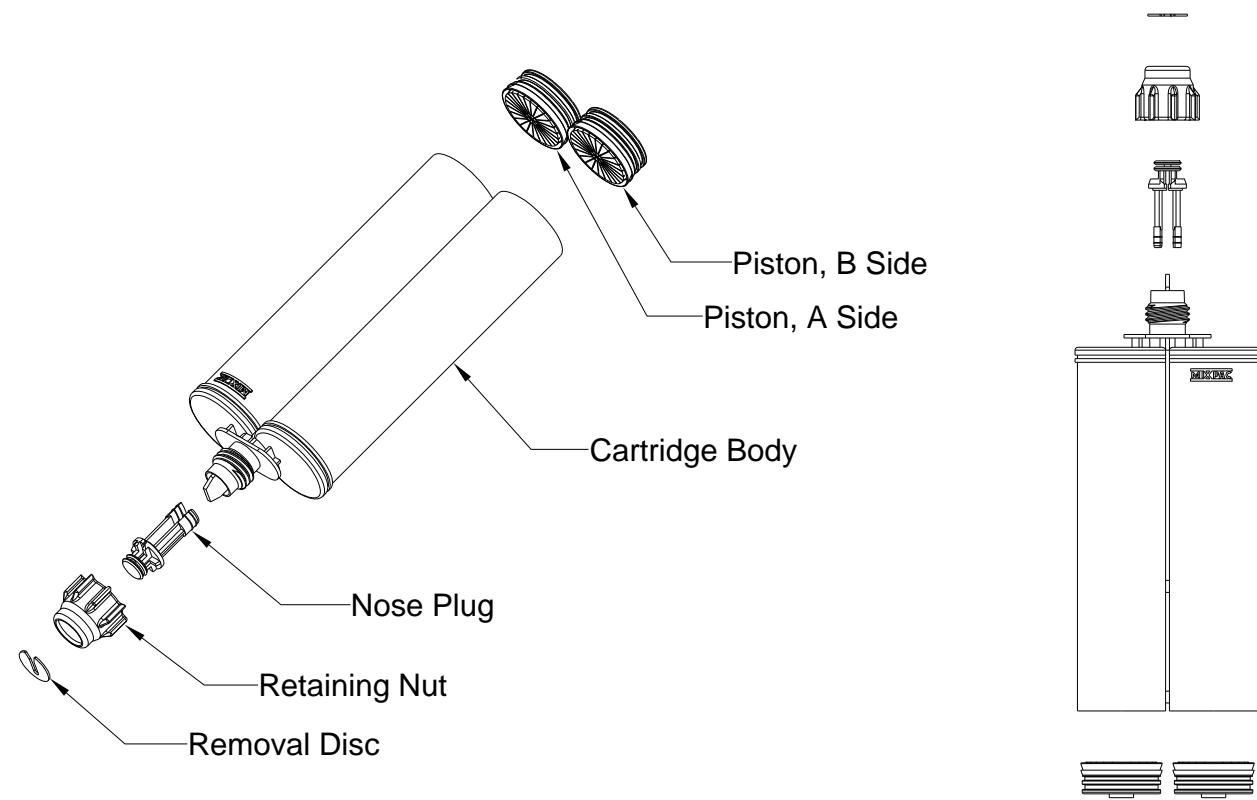
Dispenser manual - Type DM



Type	Part Number	Description	Elements	ID (mm)	L (mm)	Volume (mL)
Stepped	MC 05-18	Mixer, DN 5 x 18, white, natural elements, 1:1/2:1	18	5.0	121	2.1
Stepped	MC 05-24	Mixer, DN 5 x 24, white, natural elements, 1:1/2:1	24	5.0	149	2.3
Stepped	MC 05-32	Mixer, DN 5 x 32, white, natural elements, 1:1/2:1	32	5.0	188	2.8
Stepped	MC 06-18	Mixer, DN 6 x 18, white, natural elements, 1:1/2:1	18	6.35	149	3.6
Stepped	MC 06-24	Mixer, DN 6 x 24, white, natural elements, 1:1/2:1	24	6.35	185	4.2
Stepped	MC 06-32	Mixer, DN 6 x 32, white, natural elements, 1:1/2:1	32	6.35	234	6.6
Stepped	MC 08-18	Mixer, DN 8 x 18, white, natural elements, 1:1/2:1	18	8.0	177	6.7
Stepped	MC 08-24	Mixer, DN 8 x 24, white, natural elements, 1:1/2:1	24	8.0	223	8.5
Stepped	MC 08-32	Mixer, DN 8 x 32, white, natural elements, 1:1/2:1	32	6.0	287	11.5
Stepped	MC 10-18	Mixer, DN 10 x 18, white, natural elements, 1:1/2:1	18	6.0	214	12.3
Stepped	MC 10-24	Mixer, DN 10 x 24, white, natural elements, 1:1/2:1	24	8.0	276	14.6
Stepped	MC 10-32	Mixer, DN 10 x 32, white, natural elements, 1:1/2:1	32	8.0	352	21.8
Stepped	MC 13-12	Mixer, DN 13 x 12, white, natural elements, 1:1/2:1	12	8.0	170	15.5
Stepped	MC 13-18	Mixer, DN 13 x 18, white, natural elements, 1:1/2:1	18	10.0	231	21.0
Stepped	MC 13-24	Mixer, DN 13 x 24, white, natural elements, 1:1/2:1	24	10.0	293	27.3
Stepped	MC 13-32	Mixer, DN 13 x 32, white, natural elements, 1:1/2:1	32	10.0	379	35.4
Stepped	MCX 08-18	Mixer, DN 8 x 18, white, orange elements, 4:1/10:1	18	12.0	182	6.70
Stepped	MCX 08-24	Mixer, DN 8 x 24, white, orange elements, 4:1/10:1	24	12.0	230	8.50
Stepped	MCX 10-12	Mixer, DN 10 x 12, white, orange elements, 4:1/10:1	12	14.0	155	9.60
Stepped	MCX 10-18	Mixer, DN 10 x 18, white, orange elements, 4:1/10:1	18	14.0	215	12.30
Stepped	MCX 10-24	Mixer, DN 10 x 24, white, orange elements, 4:1/10:1	24	14.0	275	14.60
Stepped	MCX 13-12	Mixer, DN 13 x 12, white, orange elements, 4:1/10:1	12	17.0	192	15.50

Dispensers for System C400		
Dispensers		
Pneumatic	DP 400-85-01	Pneumatic Dispenser, 400mL, 1:1 / 2:1 Ratio, 6 Bar
	DP 400-85-04	Pneumatic Dispenser, 400mL, 4:1 Ratio, 6 Bar
	DP 400-85-10	Pneumatic Dispenser, 400mL, 10:1 Ratio, 6 Bar
	DP 400-100-10	Pneumatic Dispenser, 400mL, High Pressure 10:1 Ratio, 6 Bar
Manual	DM 400-01	Manual Dispenser, 400mL, 1:1 / 2:1 Ratio
	DM 400-04	Manual Dispenser, 400mL, 4:1 Ratio
	DM 400-10	Manual Dispenser, 400mL, 10:1 Ratio

Cartridge System - C 400mL



Volumetric Ratio	1:1		2:1	
Capacity (maximum)	395mL		400mL	
Material of Construction	Polypropylene (PP)	Nylon (PA)	Polypropylene (PP)	Nylon (PA)
Cartridge	CD 400-01-14	CD 401-01-18	CD 400-02-14	
Piston A, Preassembled, lip seal	PPD 420-01-11	PPD 421-01-28	PPA 420-02-11	
Piston B, Preassembled, lip seal			PPB 420-02-11	
Nose Plug	SL 002-01-23	SL 002-01-24	SL 002-01-23	
Removal Disc for Nose Plug	RD 001-00	RD 001-00	RD 001-00	
Retaining Nut - Standard up to 10mm	UM 10-PP	UM 10-PP	UM 10-PP	
<i>Alternative Parts</i>				
Retaining Nut - 13mm	UM 13-PP	UM 13-PP	UM 13-PP	

Volumetric Ratio	4:1			
Capacity (maximum)	415mL			
Material of Construction	Polypropylene (PP)	Polyester (PBT)		
Cartridge	CD 400-04-14	CD 400-04-06		
Piston A, Preassembled, lip seal				
Piston B, Preassembled, lip seal				
Nose Plug	SL 002-04-23	SL 002-04-24		
Removal Disc for Nose Plug	RD 001-00	RD 001-00		
Retaining Nut - Standard up to 10mm	UM 10-PP	UM 10-PP		
<i>Alternative Parts</i>				
Piston A	PA 420-04-11	PA 421-04-28		
Piston B	PB 420-04-11	PB 421-04-28		
Piston Plug	PP 001-21	PP 001-21		
Retaining Nut - 13mm	UM 13-PP	UM 13-PP		