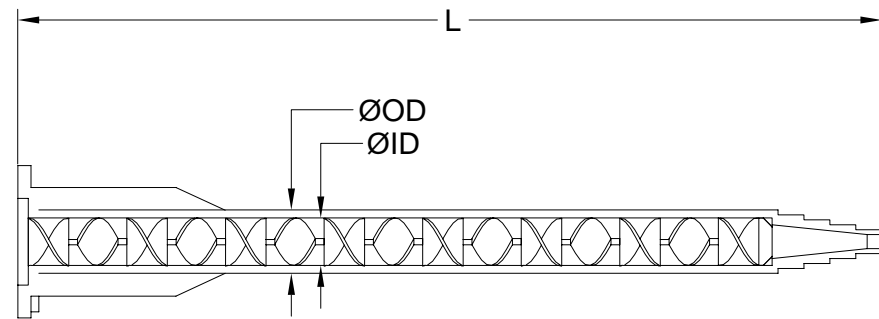


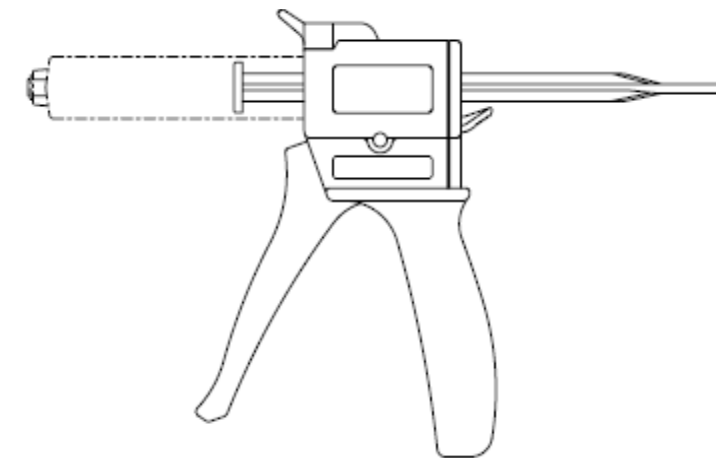
A-System 50 Industrial

Mixers for A System 50mL



MIXPAC System A50

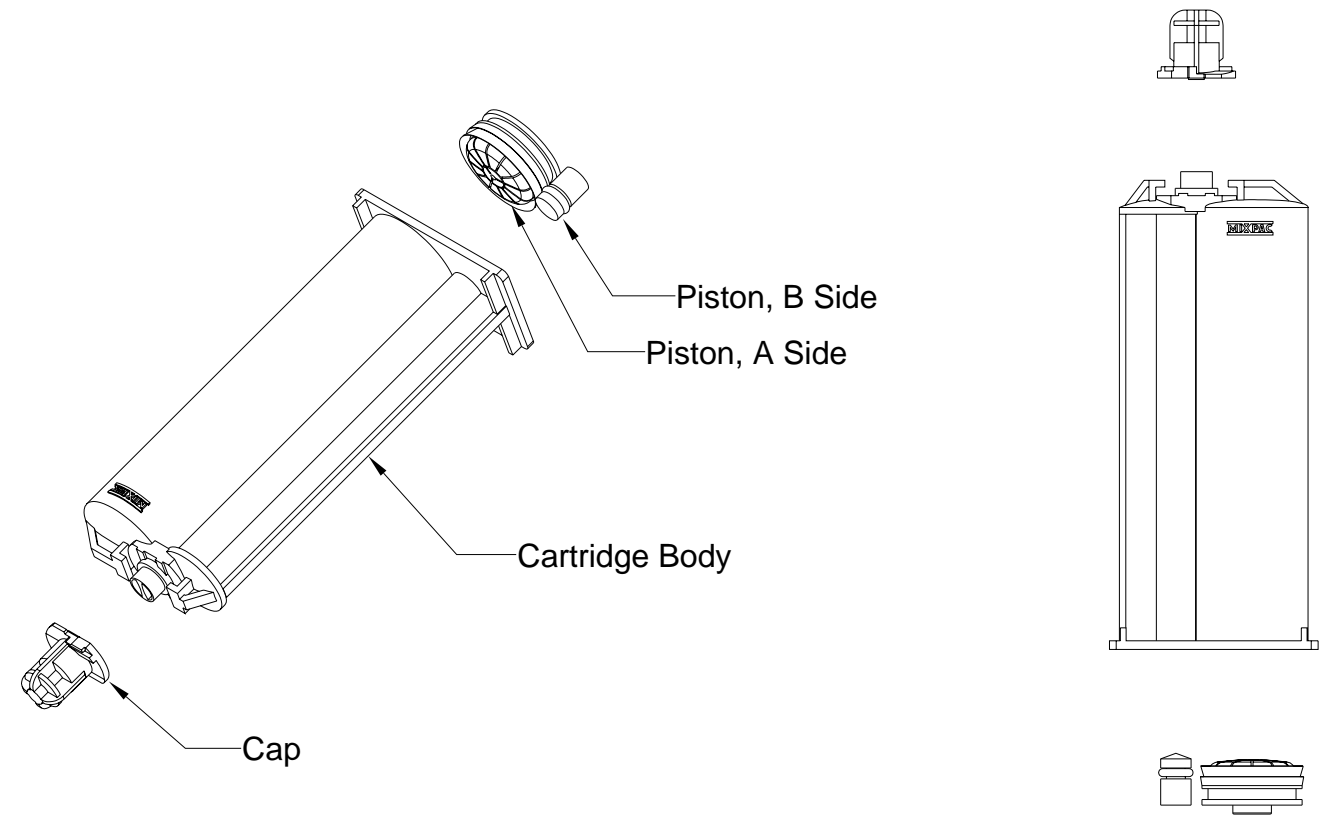
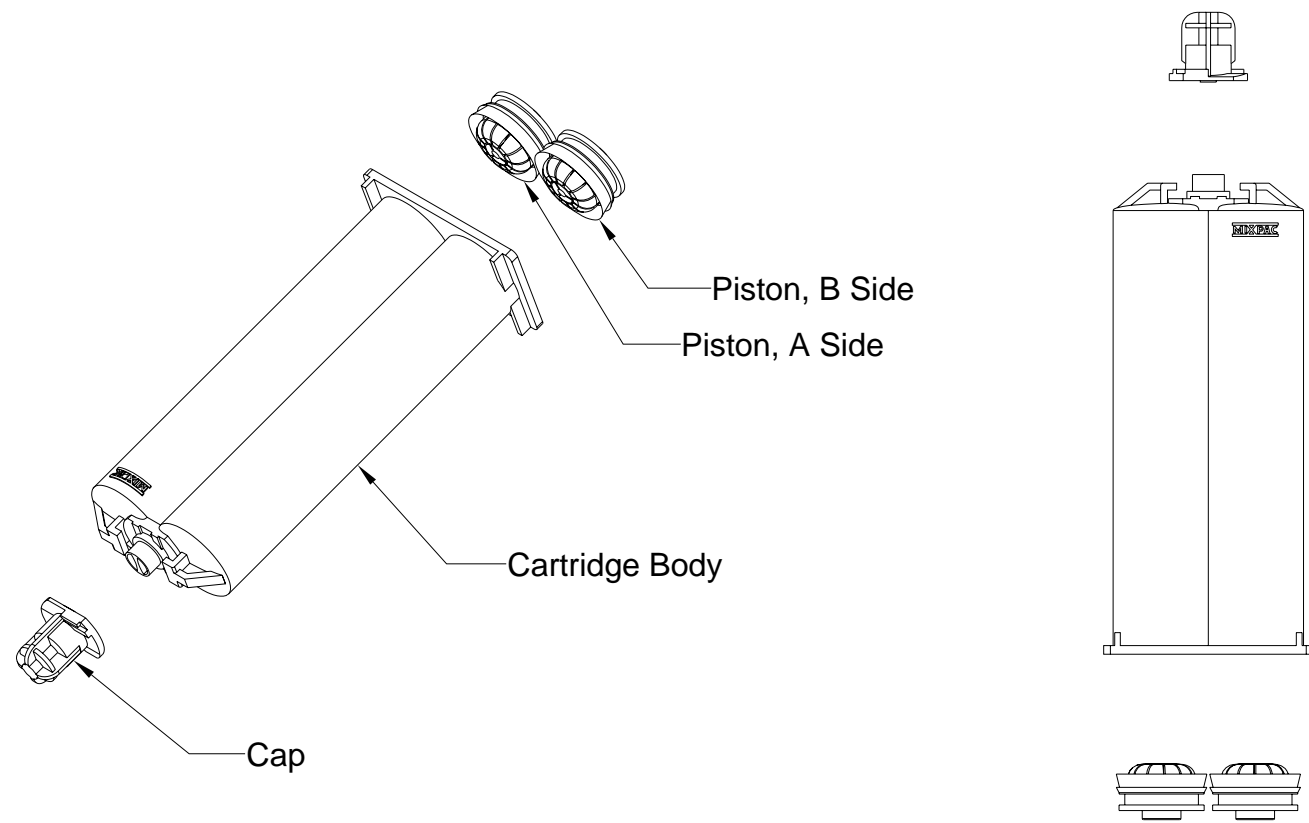
May 2008



Type	Part Number	Description	Elements	ID (mm)	L (mm)	Volume (mL)
Tapered	MA 3.0-07-S	Mixer, DN 3 x 7, natural elements, 1:1/2:1	7	3.0	33.2	0.19
Tapered	MA 3.0-13-S	Mixer, DN 3 x 13, natural elements, 1:1/2:1	13	3.0	50.6	0.29
Tapered	MA 3.0-17-S	Mixer, DN 3 x 17, natural elements, 1:1/2:1	17	3.0	62.2	0.34
Tapered	MA 4.0-13-S	Mixer, DN 4 x 13, natural elements, 1:1/2:1	13	4.0	66.0	0.60
Tapered	MA 4.0-17-S	Mixer, DN 4 x 17, natural elements, 1:1/2:1	17	4.0	81.6	0.75
Stepped	MA 5.4-07-S	Mixer, DN 5.4 x 7, natural elements, 1:1/2:1	7	5.4	55.7	0.78
Stepped	MA 5.4-13-S	Mixer, DN 5.4 x 13, natural elements, 1:1/2:1	13	5.4	84.6	1.36
Stepped	MA 5.4-17-S	Mixer, DN 5.4 x 17, natural elements, 1:1/2:1	17	5.4	103.6	1.68
Stepped	MA 0517-0413	Mixer, DN 5.4 x 17, 4 x 13, natural elements, 1:1/2:1	17 + 13	5.4 + 4.0	149.0	2.10
Stepped	MA 5.4-21-S	Mixer, DN 5.4 x 24, natural elements, 1:1/2:1	21	5.4	124.0	2.01
Stepped	MA 6.3-12-S	Mixer, DN 6.3 x 12, natural elements, 1:1/2:1	12	6.3	97.0	2.08
Stepped	MA 6.3-17-S	Mixer, DN 6.3 x 17, natural elements, 1:1/2:1	17	6.3	128.0	2.92
Luer-End	MA 6.3-21-L	Mixer, DN 6.3 x 21, natural elements, 1:1/2:1	21	6.3	151.5	3.33
Stepped	MA 6.3-21-S	Mixer, DN 6.3 x 21, natural elements, 1:1/2:1	21	6.3	153.0	3.57
Straight	MA 6.8-12-D	Mixer, DN 6.8 x 12, green elements, 1:1/2:1	12	6.8	87.5	2.24
Type	Part Number	Description	Elements	ID (mm)	L (mm)	Volume (mL)
Tapered	MX 4.0-17-S	Mixer, DN 4 x 17, orange elements, 4:1/10:1	17	4.0	81.6	0.75
Stepped	MX 5.4-17-S	Mixer, DN 5.4 x 17, orange elements, 4:1/10:1	17	5.4	103.7	1.53
Stepped	MX 0517-0413	Mixer, DN 5.4 x 17, 4 x 13, orange elements, 4:1/10:1	17 + 13	5.4 + 4.0	149.0	2.10

Dispenser for System A50		
Dispenser		
	DMA 51-00-10	Manual Dispenser, 50mL, (includes 1:1 / 2:1 Ratio Plunger)
Plungers	PLA 050-01	Plunger, 50mL, 1:1 / 2:1 Ratio
	PLA 050-04	Plunger, 50mL, 4:1 Ratio
	PLA 050-10	Plunger, 50mL, 10:1 Ratio
	PLA 050-02-3M	Plunger, 50mL, 2:1 Ratio (for 3M Cartridge)
	PLA 051-01	Plunger, 50mL, 1:1 Ratio only

Cartridge System - A 50mL



Volumetric Ratio	1:1		2:1	
Capacity (maximum)	50mL		50mL	
Material of Construction	Polypropylene (PP)	Nylon (PA)	Polypropylene (PP)	Nylon (PA)
Cartridge Set - (A cartridge set consists of a cartridge with a preassembled cap)	AA 050-01-09-0X	AA 050-01-19-0X	AA 050-02-09-0X	AA 050-02-18-0X
Cartridge	CD 051-01-09	CD 051-01-19	CD 051-02-09	CD 051-02-18
Piston A, Preassembled, lip seal	KSD 50-01-11	KSD 50-01-28	KSA 50-02-11	KSA 50-02-28
Piston B, Preassembled, lip seal			KSB 50-02-11	KSB 50-02-28
Cap with Plug	VA 051-00-PE	VA 051-00-PE	VA 051-00-PE	VA 051-00-PE
<i>Alternative Parts</i>				
Piston A	KSD 50-01-11-EP	KSD 50-01-28-EP	PA 051-02-EP	
Piston B	PD 051-01-EP		PB 051-02-EP	

Volumetric Ratio	4:1		10:1	
Capacity (maximum)	42mL		37mL	
Material of Construction	Polypropylene (PP)	Nylon (PA)	Polypropylene (PP)	Nylon (PA)
Cartridge Set - (A cartridge set consists of a cartridge with a preassembled cap)	AA 050-04-09-0X	AA 050-04-18-0X	AA 050-10-09-0X	AA 050-10-18-0X
Cartridge	CD 051-04-09	CD 051-04-18	CD 050-10-09	CD 050-10-18
Piston A, EPDM O-Ring	PA 051-04-EP			
Piston A, Preassembled, lip seal		KSA 50-02-28	KSA 50-02-11	KSA 50-02-28
Piston B, EPDM O-Ring	PB 051-04-EP	PB 054-04-EP	PB 053-10-EP	PB 054-10-EP
Cap with Plug	VA 051-00-PE	VA 051-00-PE	VA 051-00-PE	VA 051-00-PE
<i>Alternative Parts</i>				
Piston A			PA 050-10-EP	
Piston B			PB 050-10-EP	